

# *PassTest*

Bessere Qualität , bessere Dienstleistungen!



## Q&A

<http://www.passtest.de>

Einjährige kostenlose Aktualisierung

**Exam** : **COG-132**

**Title** : IBM Cognos 8 BI Metadata  
Model Developer

**Version** : Demo

1. Which of the following data structures typically contain normalized data?

- A. Cube
- B. Flat file
- C. Operational
- D. Star schema

**Answer: C**

2. The database table below would typically be found in what data structure?

Product line code	Product line	Product type code	Product type	Product number	Product
1	A	4	Packs	29	Canyon Mule Carryall
1	A	5	Lanterns	30	Firefly Lite
1	A	5	Lanterns	31	Firefly Mapreader
1	A	5	Lanterns	32	Firefly 2
1	A	5	Lanterns	34	Firefly Extreme
1	A	1	Cooking Gear	3	TrailChef Kitchen Kit
1	A	1	Cooking Gear	4	TrailChef Cup
1	A	1	Cooking Gear	5	TrailChef Cook Set
1	A	1	Cooking Gear	7	TrailChef Single Flame
1	A	2	Tents	14	Star Gazer 3
1	A	3	Sleeping Bags	22	Hibernator Pillow
1	A	4	Packs	28	Canyon Mule Cooler
1	A	5	Lanterns	33	Firefly 4
1	A	5	Lanterns	40	EverGlow Lamp
1	A	1	Cooking Gear	10	TrailChef Utensils
1	A	2	Tents	11	Star Lite
1	A	2	Tents	12	Star Dome
1	A	3	Sleeping Bags	19	Hibernator Extreme
1	A	3	Sleeping Bags	20	Hibernator Self - Inflating Mat
1	A	1	Cooking Gear	6	TrailChef Deluxe Cook Set

- A. Union
- B. Normalized
- C. Operational
- D. Star schema

**Answer: D**

3. What does a star schema database structure typically consist of?

- A. De-normalized hierarchy of dimension tables and fact tables.
- B. Normalized dimension tables and detailed fact tables.
- C. Normalized dimension tables and summarized fact tables.
- D. De-normalized dimension tables and fact tables.

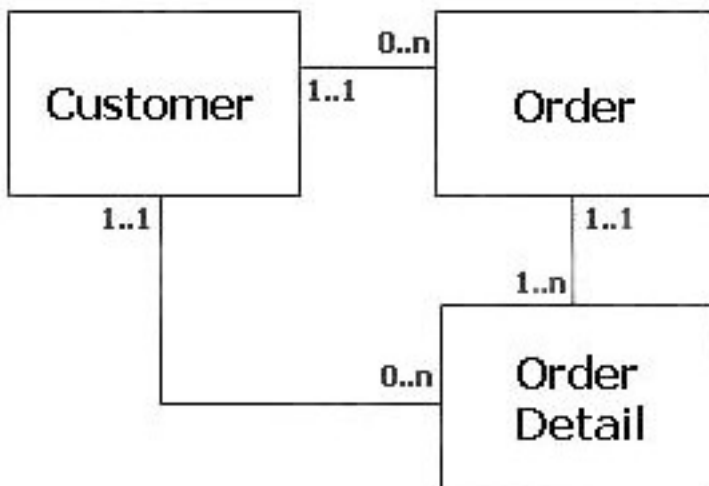
**Answer: D**

4. Which of the following is true of an OLAP data structure?

- A. Comprised of normalized dimension and fact tables.
- B. Organizes dimension tables into hierarchies and levels.
- C. Allows "real time" analysis against disparate data sources.
- D. Cardinality between tables is typically configured as inner joins.

**Answer: B**

5. In a transitive relationship scenario, what problems exist when reporting from the tables below?



- A. The Order table must be included in each query.
- B. The Order Detail table has conflicting cardinalities.
- C. Outer joins are generated when querying from Customer.
- D. There is more than one possible path between the tables.

**Answer: D**