

# *PassTest*

Bessere Qualität , bessere Dienstleistungen!



## Q&A

<http://www.passtest.de>

Einjährige kostenlose Aktualisierung

**Exam** : **FN0-103**

**Title** : Foundry Networks Certified  
Network Professional

**Version** : DEMO

1. Which RMON group provides samplings of packet and error statistics captured at regular intervals?

- A. events
- B. alarms
- C. statistics
- D. history

**Answer: D**

2. How does a switch communicate bridge IDs to neighboring switches?

- A. RIP
- B. ICMP
- C. IP
- D. BPDU

**Answer: D**

3. Which of the following is a link state routing protocol?

- A. IPX
- B. LAT
- C. IGRP
- D. OSPF

**Answer: D**

4. Which routing solution prevents loop problems by sending a maximum hop count when a link goes down?

- A. Split horizon
- B. Poison reverse
- C. STP
- D. OSPF

**Answer: B**

5. What transport layer protocol provides a connection oriented service?

- A. UDP
- B. STP
- C. TCP
- D. ARP

**Answer: C**

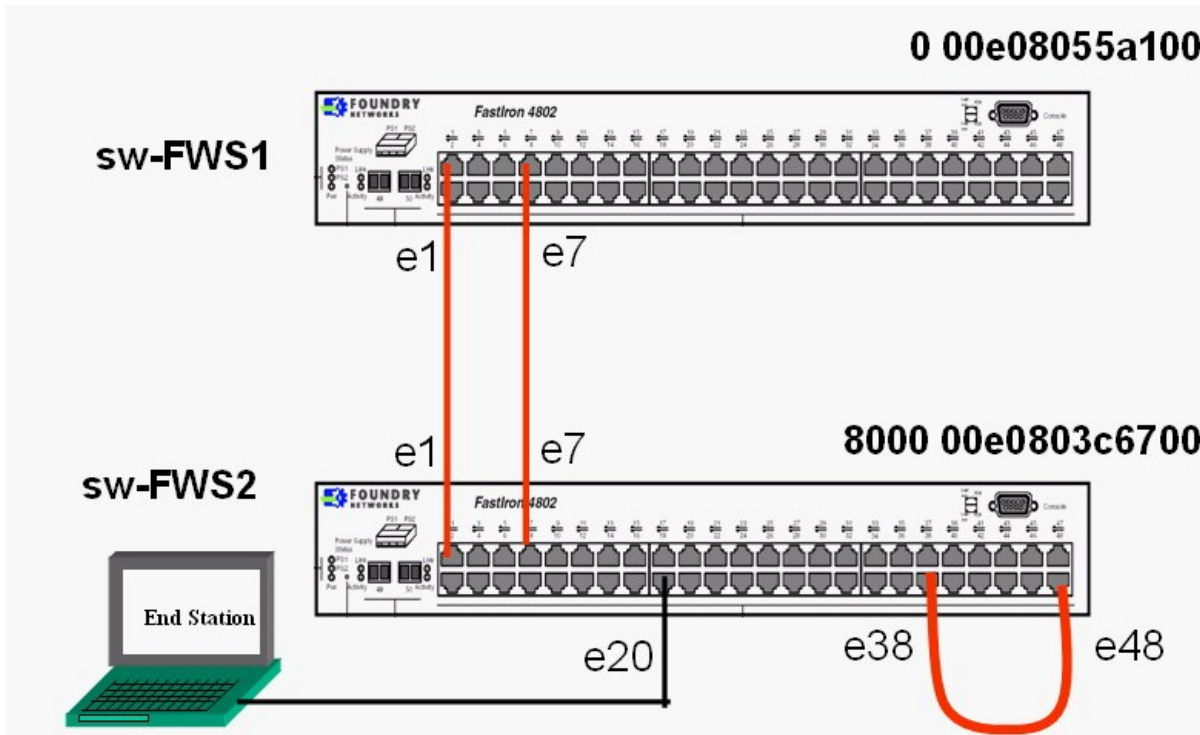
6. OSPF routers with membership in multiple areas are known as which of the following?

- A. autonomous system boundary router
- B. autonomous system

- C. area border router
- D. link-state advertisement

**Answer: C**

7. Switch sw-FWS2 (see diagram) is running 802.1w (RSTP), with default settings. It has a crossover cable between ports e38 and e48. Select the combination of port titles that match the ports.



- A. e38: Root Port e48: Alternate Port
- B. e38: Designated Port e48: Designated Port
- C. e38: Alternate Port e48: Root Port
- D. e38: Backup Port e48: Designated Port
- E. e38: Designated Port e48: Backup Port.

**Answer: E**

8. BPDUs send configuration information messages using what type of frames?

- A. unicast
- B. multicast
- C. tcp
- D. udp

**Answer: B**

9. What is the difference between TACACS+ and TACACS?

- A. TACACS is an enhancement to TACACS+
- B. TACACS is TCP based and TACACS+ is UDP based

- C. TACACS+ provides encryption and uses TCP.
- D. TACACS+ provides encryption and uses UDP.

**Answer: C**

10. What is the standard IP multicast address for all routers?

- A. 224.0.0.18
- B. 224.0.0.1
- C. 224.0.0.0
- D. 224.0.0.2

**Answer: D**

11. Which of the following ranges are defined as well-known port numbers?

- A. 0-255
- B. 1-256
- C. 1-1023
- D. 1-2048

**Answer: C**

12. Which 802.1d state will a switches Root Port and Designated Port enter after the 2<sup>nd</sup> expiration of the forwarding-delay timer.

- A. Learning
- B. Listening
- C. Forwarding
- D. Blocking

**Answer: C**

13. What are OSPF routers that run multiple protocols and serve as gateway to routers outside an area and those operating with different protocols?

- A. area border router
- B. autonomous system boundary router
- C. autonomous system
- D. redistribution router

**Answer: B**

14. What is the maximum hop count allowed by RIP?

- A. 15
- B. 10
- C. 255
- D. no limit

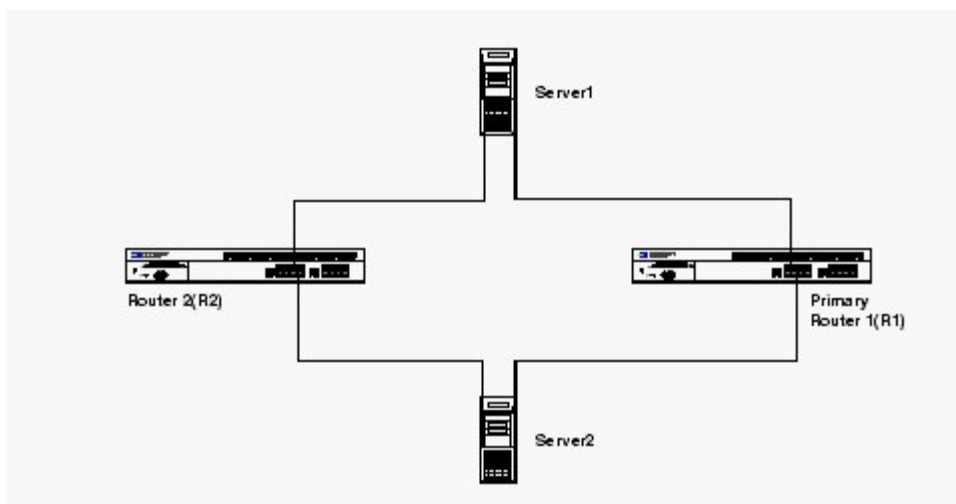
**Answer: A**

15. Access list filters should be applied closest to the source node or network where you want to deny access?

- A. True
- B. False

**Answer: A**

16. In this RIP network, the administrator wants to ensure that all traffic between server1 and server2 is routed through router 1 and that router 1 is seen as the primary router. To ensure that this occurs, the administrator should configure which of the following?



- A. Assign higher hop counts to the router interfaces on router 1
- B. Assign higher hop counts to the router interfaces on router 2
- C. Assign a higher hop count between Server 1 and R1, and lower hop count between Server 2 and R1
- D. Assign a lower hop count between Server 1 and R2, and a higher hop count between Server 2 and R2

**Answer: B**

17. Which STP bridge parameter manages the interval a bridge will wait for receipt of a hello packet before initiating a topology change?

- A. priority
- B. forward delay
- C. maximum age
- D. hello time

**Answer: C**

18. What routing metric does RIP use to select the best path?

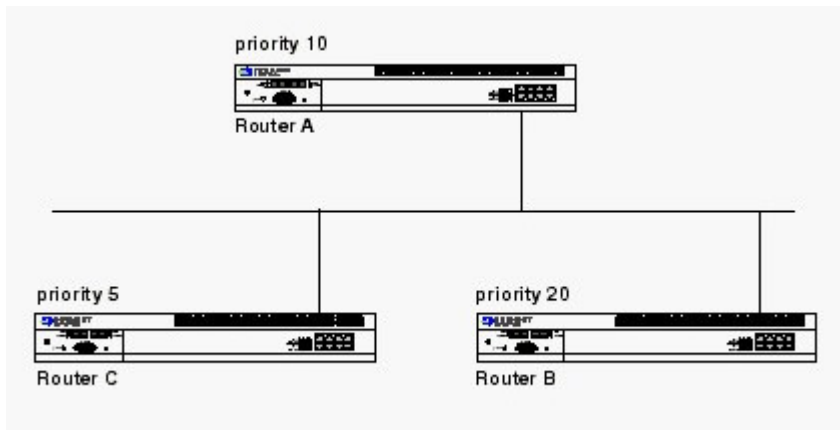
- A. hop count
- B. delay

C. TTL

D. bandwidth

**Answer: A**

19. The diagram shows an OSPF network with no designated router (DR) and no backup designated router (BDR). Which of the following statements identify which routers will be selected DR and BDR?



A. Router C is DR, Router B is BDR

B. Router B is DR, Router A is BDR

C. Router B is BDR, Router A is DR

D. Router A is DR, Router C is BDR

**Answer: B**

20. In which 802.1d state does a switch build its MAC tables?

A. Learning

B. Listening

C. Forwarding

D. Blocking

**Answer: A**